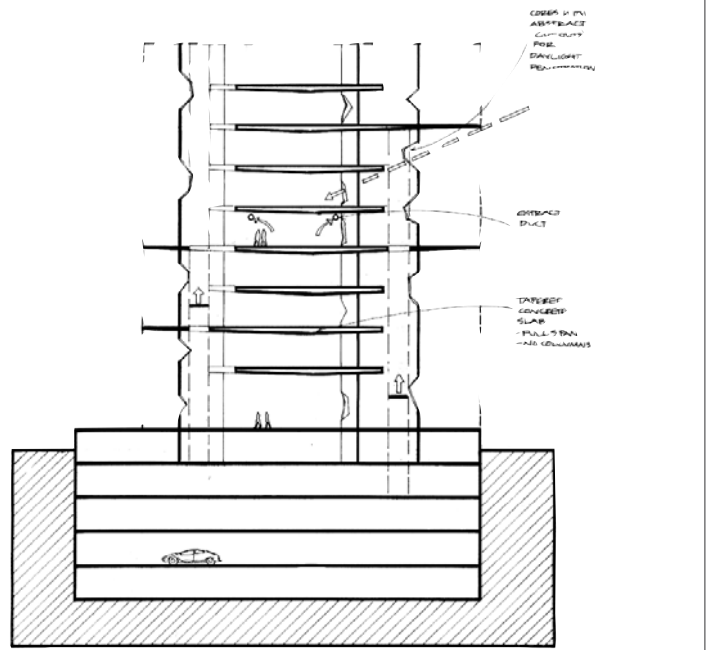
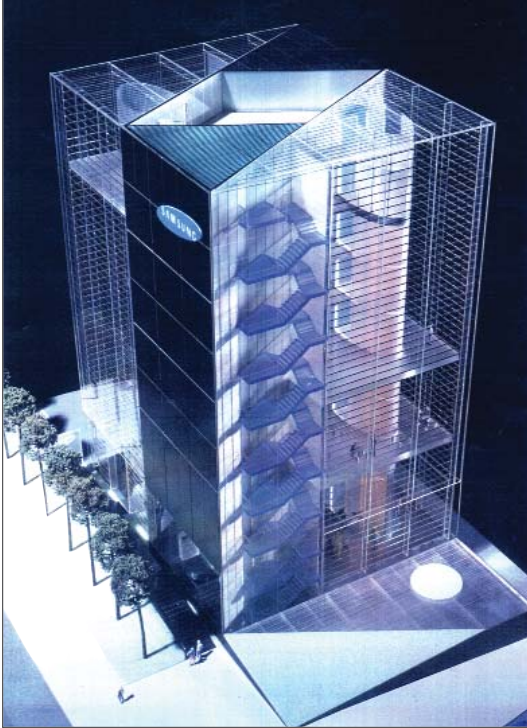


BATTLE McCARTHY ©

Consulting Engineers & Landscape Architects



Section showing daylight strategy

PROJECT:

D-Building, Seoul, Korea

CLIENT:

Samsung

ARCHITECTS:

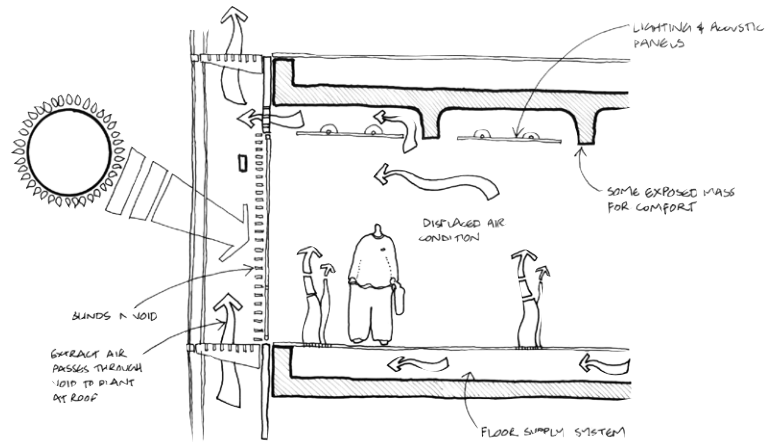
Terry Farrell & Partners

BM SERVICES:

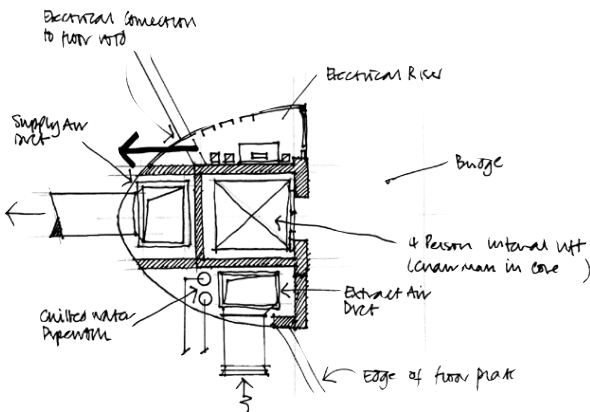
Environmental Analysis, Structure and Building Services Engineers

VALUE:

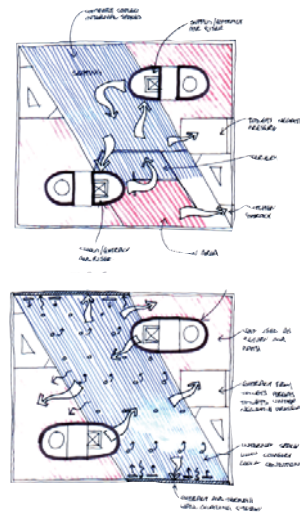
£15million



Section showing office/conference room ventilation system option



Section of service riser/core



Ventilation system plan schematics



London UK Office
 T: +44 (0)20 7440 8282
 F: +44 (0)20 7440 8292
 E: admin@battlemccarthy.com
 www.battlemccarthy.com