

BATTLE McCARTHY ©

Consulting Engineers & Landscape Architects



PROJECT:

Provinciehuis

CLIENT:

Government of the Hague

ARCHITECTS:

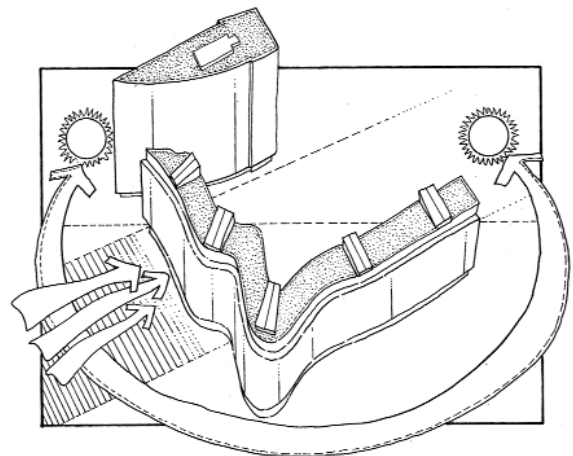
Kohn Pedersen Fox Associates

BM SERVICES:

Structural, Mechanical, Electrical
& Public Health Engineering

VALUE:

£23million (approx)

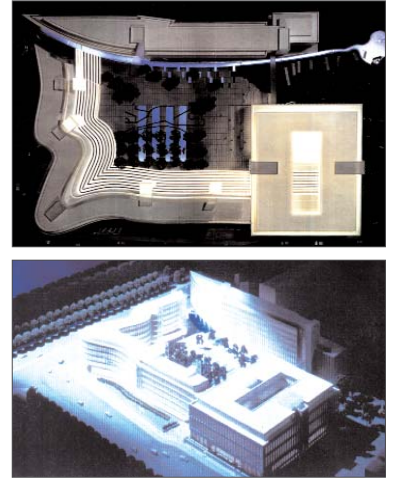


DESIGN BRIEF

Provinciehuis is a competition-winning building design for an office development in the Netherlands. Floor space was maximised and car parking space gained through innovative use of a suitable transfer structure to link the complex setting-out geometries of the curved facade, with a flexible open-plan internal layout.



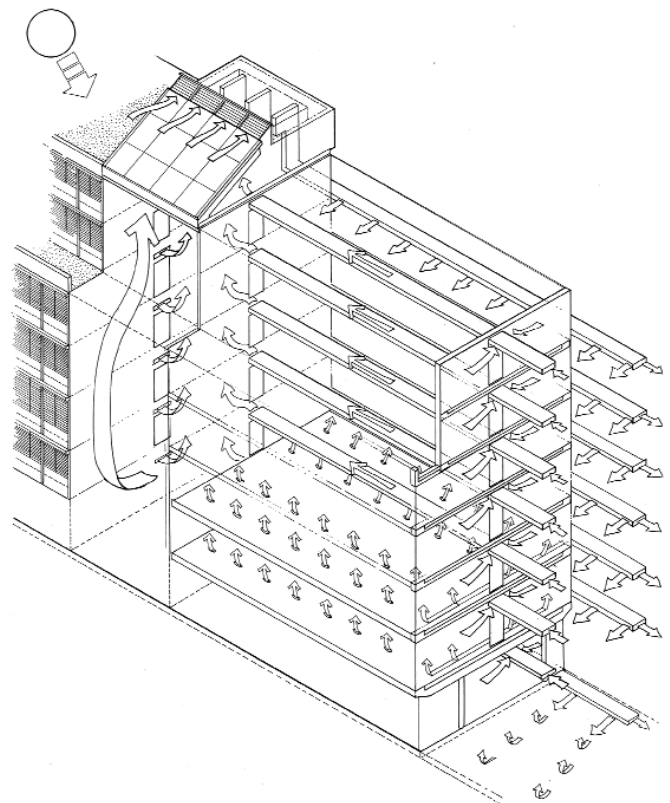
London UK Office
T: +44 (0)20 7440 8282
F: +44 (0)20 7440 8292
E: admin@battlemccarthy.com
www.battlemccarthy.com



Model

The Province of South Holland commissioned an addition to the seat of the regional government, the Statenzaal, on the corner of the Malievelid, The Hague's major public park.

Site analysis suggested the use of two building types: a taller slab at the rear as a backdrop and a lower L-shaped building attached to the existing Statenzaal as the street façade.



Together, the buildings create a partially enclosed courtyard. The two buildings dramatically part at one end to form a wide entrance to welcome pedestrians approaching from the city centre.

The street façade is formed of strip windows set between horizontal bands of brick, to give the impression of Dutch vernacular with a contemporary edge